

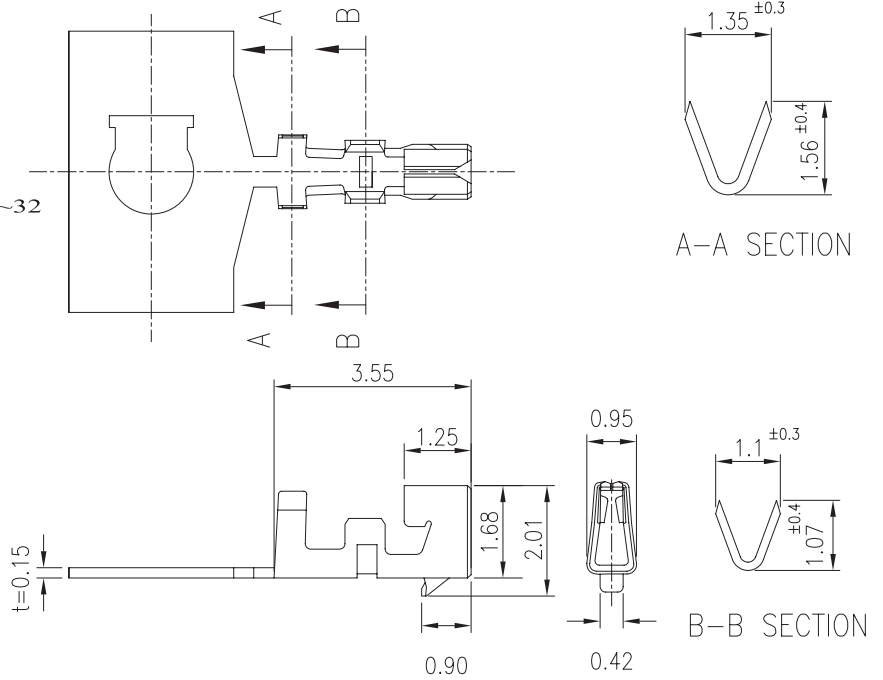
1.25mm .049" Center Wire to Board Connector



1027 Series

■ TERMINAL

- Part No.: 1027-G-P
- Material: Phos. bronze
- Thickness: 0.15mm
- Plating: Gold plated
- Wire Range: Suitable for AWG#28~32
- Insulation O.D: 0.9mm (max)
- Q'TY: 10,000 pcs/reel
- Accepts housing : 1027-H-xxP



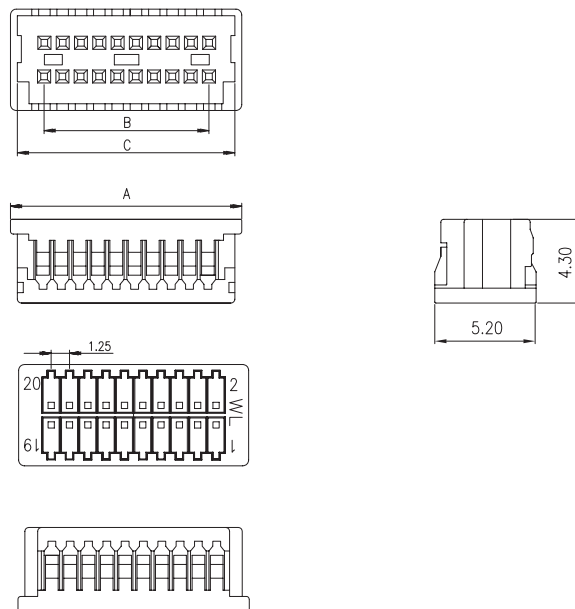
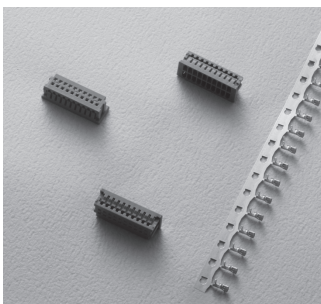
Ordering Information

Part No.	Wire Range	Insulation O.D.	Material	Finish	Q'ty/reel	Note
1027-G-P	AWG #28~#32	0.9mm (max)	Phos.bronze	Gold Plated	10,000 pcs	

1027 Series

■ HOUSING

- Part No.: 1027-H
- Material: Nylon 66 (PA66) , UL94V-0
- Pitch: 1.25mm (.049")
- Poles: 20, 30, 40
- Q'TY: 1,000 pcs/bag
- Accepts terminals : 1027-G-P



Ordering Information and Dimensions

CIRCUITS	PART NO.	DIMENSION		
		A	B	C
20	1027-H-2x10P	14.95	11.25	14.25
30	1027-H-2x15P	21.20	17.50	20.50
40	1027-H-2x20P	27.45	23.75	26.75