

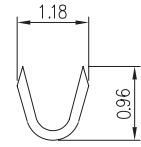
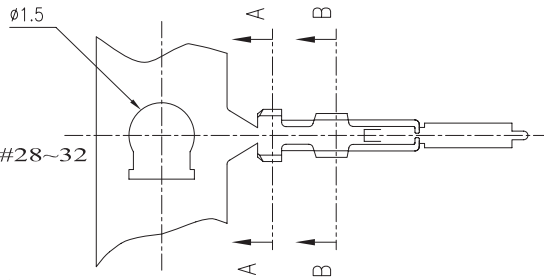
1.00mm .039" Center Wire to Board Connector



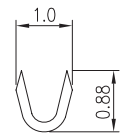
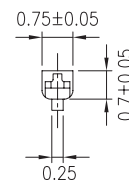
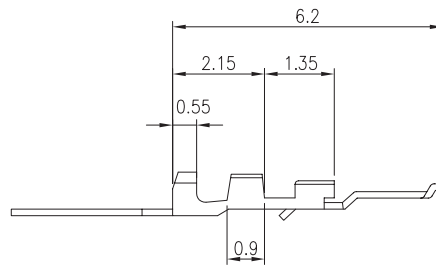
1058 Series

■ TERMINAL

- Part No.: 1058-G-P-E (簡易型)
- Material: Phos. bronze
- Thickness: 0.15mm
- Plating: Gold plated
- Wire Range: Suitable for AWG#28~32
- Insulation O.D: 0.75mm (max)
- Q'TY: 15,000 pcs/reel
- Accepts housing : 1058-H-20P
1058-H-30P
1058-HNA-30P
1058-HL-30P
1058-EH-30P
1058-EHL-30P



A-A SECTION



B-B SECTION

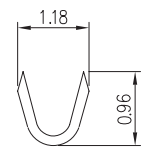
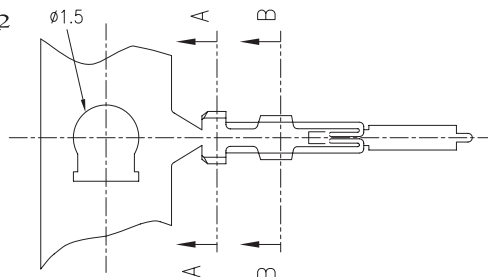
Ordering Information

Part No.	Wire Range	Insulation O.D.	Material	Finish	Q'ty/reel	Note
1058-G-P-E	AWG #28~#32	0.80mm (max)	Phos. bronze	Gold Plated	15,000 pcs	簡易型

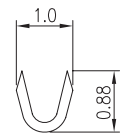
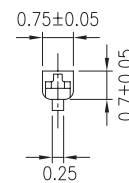
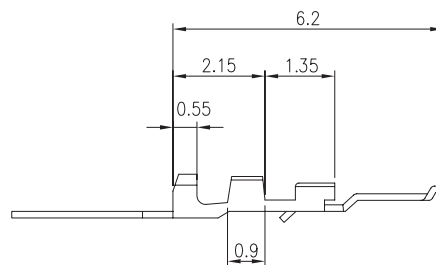
1058 Series

■ TERMINAL

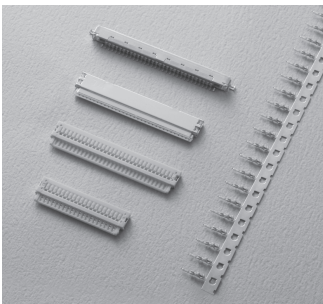
- Part No.: 1058-G-P (一般型)
- Material: Phos. bronze
- Thickness: 0.15mm
- Plating: Gold plated
- Wire Range: Suitable for AWG#28~32
- Insulation O.D: 0.75mm (max)
- Q'TY: 15,000 pcs/reel
- Accepts housing : 1058-H-20P
1058-H-30P
1058-HNA-30P
1058-HL-30P
1058-EH-30P
1058-EHL-30P



A-A SECTION



B-B SECTION



Ordering Information

Part No.	Wire Range	Insulation O.D.	Material	Finish	Q'ty/reel	Note
1058-G-P	AWG #28~#32	0.80mm (max)	Phos. bronze	Gold Plated	15,000 pcs	一般型

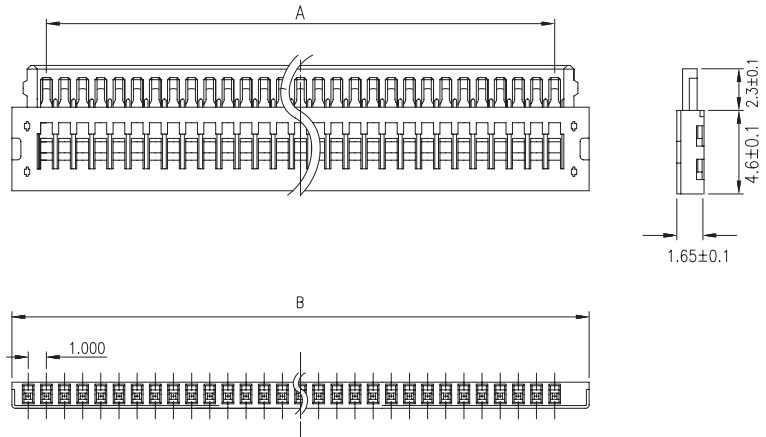
1.00mm .039" Center Wire to Board Connector



1058 Series

HOUSING

- Part No.: 1058-H-xxP (半封型)
- Material:
Housing : Nylon 46, UL94-V0
Shell : Copper alloy/Tin plated
- Pitch: 1.0mm (.039")
- Poles: 20, 30
- Q'TY: 200 pcs/box
- Accepts terminal : 1058-G-P
1058-G-P-E
- Mates with: 1058 - SMTR-xxP



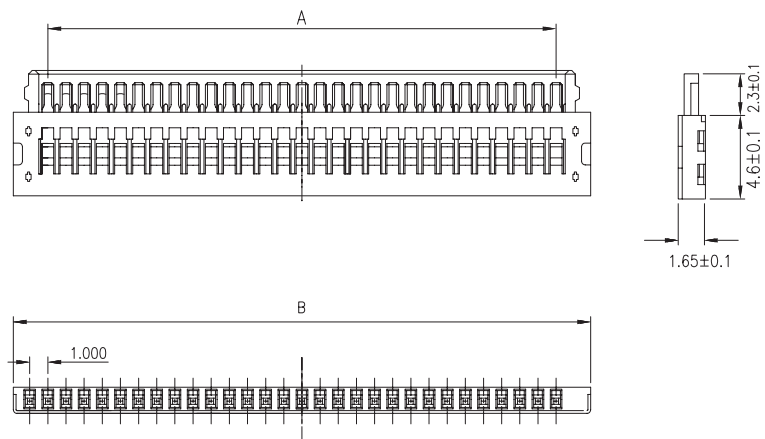
Ordering Information and Dimensions

CIRCUITS	PART NO.	DIMENSION	
		A	B
20	1058-H-20P (半封型)	19.00	23.30
30	1058-H-30P (半封型)	29.00	33.30

1058 Series

HOUSING

- Part No.: 1058-HNA-30P (全封型)
- Material:
Housing : Nylon 46, UL94-V0
Shell : Copper alloy/Tin plated
- Pitch: 1.0mm (.039")
- Poles: 30
- Q'TY: 200 pcs/box
- Accepts terminal : 1058-G-P
1058-G-P-E
- Mates with: 1058 - SMTR-xxP



Ordering Information and Dimensions

CIRCUITS	PART NO.	DIMENSION	
		A	B
30	1058-HNA-30P (全封型)	29.00	33.30