

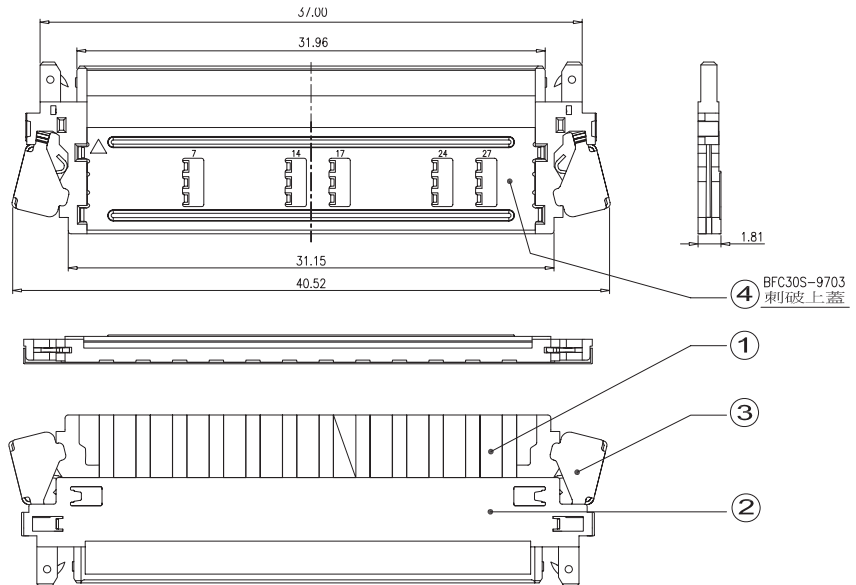
1.00mm .039" Center FFC Connector



1058 Series

HOUSING

- Part No.: 1058-FFC-30P
- Pitch: 1.0mm (.039")
- For FFC, Ground Type
#7,#14,#17,#24,#27 Pin, Lock Type
- Q'TY: 500 pcs/bag
- Mates with: 1058 - SMTR



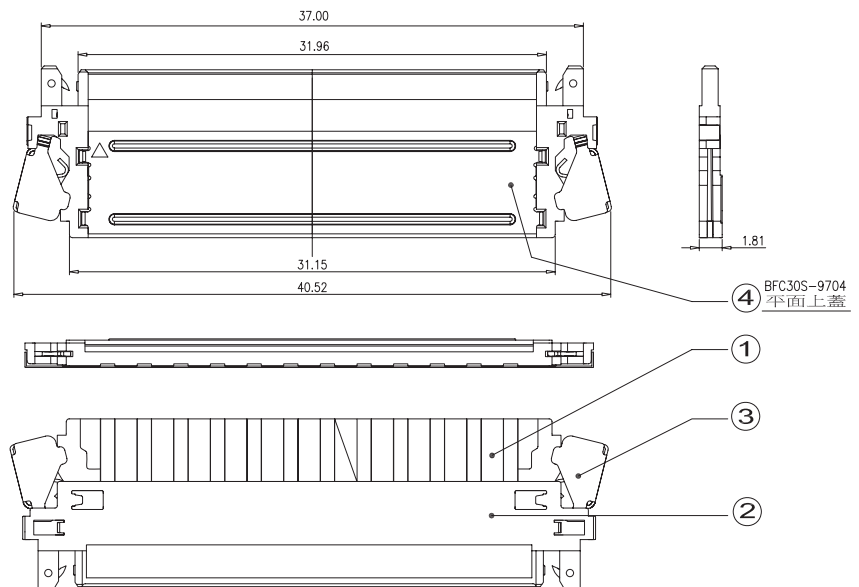
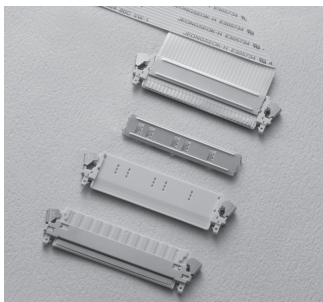
Ordering Information

No.	Part No.	Description	Material	Note
1	1058-FFC-30P	Insulator	Nylon46,UL94V-0	500pcs/bag
2		Ground plate	Stainless steel	
3		Lock spring	Stainless steel	
4	BFC30S-9703	Top cover	Stainless steel	500pcs/bag

1058 Series

HOUSING

- Part No.: 1058-FFC-30P
- Pitch: 1.0mm (.039")
- For FFC, Lock Type
- Q'TY: 500 pcs/bag
- Mates with: 1058 - SMTR



Ordering Information

No.	Part No.	Description	Material	Note
1	1058-FFC-30P	Insulator	Nylon46,UL94V-0	500pcs/bag
2		Ground plate	Stainless steel	
3		Lock spring	Stainless steel	
4	BFC30S-9704	Top cover	Stainless steel	500pcs/bag