

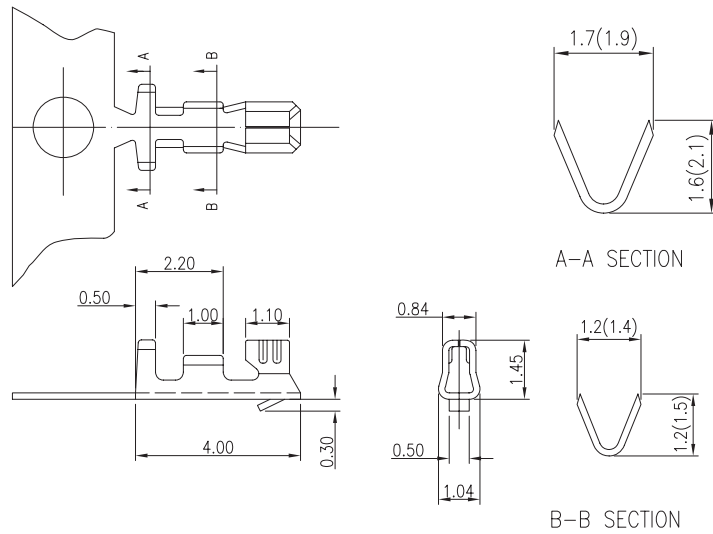
# 1.5mm .059" Center Wire to Board Connector



## 1500 Series

### ■ TERMINAL

- Part No.: 1500-T-T-S, 1500-TH-T-S
- Material: Phos. bronze
- Thickness: 0.20mm
- Plating: Tin plated 60u"
- Wire Range: Suitable for AWG#26~32
- Insulation O.D.: 0.9/1.20mm (max)
- Q'TY: 15,000 pcs/reel
- Accepts housing : 1500-H



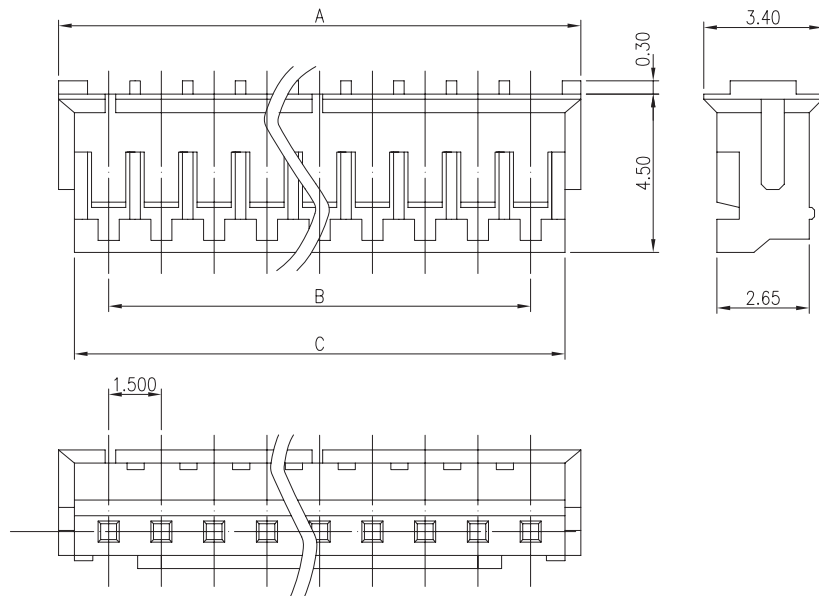
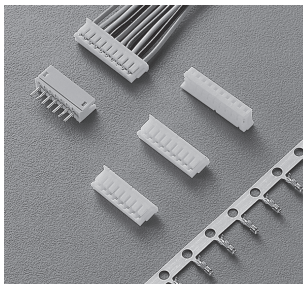
### Ordering Information

Part No.	Wire Range	Insulation O.D.	Material	Finish	Q'ty/reel	Note
1500-T-T-S	AWG #28~#32	0.9mm (max)	Phos.bronze	Tin Plated	15,000 pcs	一般腳
1500-TH-T-S	AWG #26~#28	1.2mm (max)	Phos.bronze	Tin Plated	15,000 pcs	高腳

## 1500 Series

### ■ HOUSING

- Part No.: 1500-H
- Material: Nylon 66, UL94V-2
- Pitch: 1.5mm (.059")
- Poles: 2~13
- Q'TY: 1,000 pcs/bag
- Accepts terminals : 1500-T-T-S  
1500-TH-T-S



### Ordering Information and Dimensions

CIRCUITS	PART NO.	DIMENSION		
		A	B	C
2	1500-H-02P	4.5	1.5	3.3
3	1500-H-03P	6.0	3.0	4.8
4	1500-H-04P	7.5	4.5	6.3
5	1500-H-05P	9.0	6.0	7.8
6	1500-H-06P	10.5	7.5	9.3
7	1500-H-07P	12.0	9.0	10.8

CIRCUITS	PART NO.	DIMENSION		
		A	B	C
8	1500-H-08P	13.5	10.5	12.3
9	1500-H-09P	15.0	12.0	13.8
10	1500-H-10P	16.5	13.5	15.3
11	1500-H-11P	18.0	15.0	16.8
12	1500-H-12P	19.5	16.5	18.3
13	1500-H-13P	21.0	18.0	19.8