

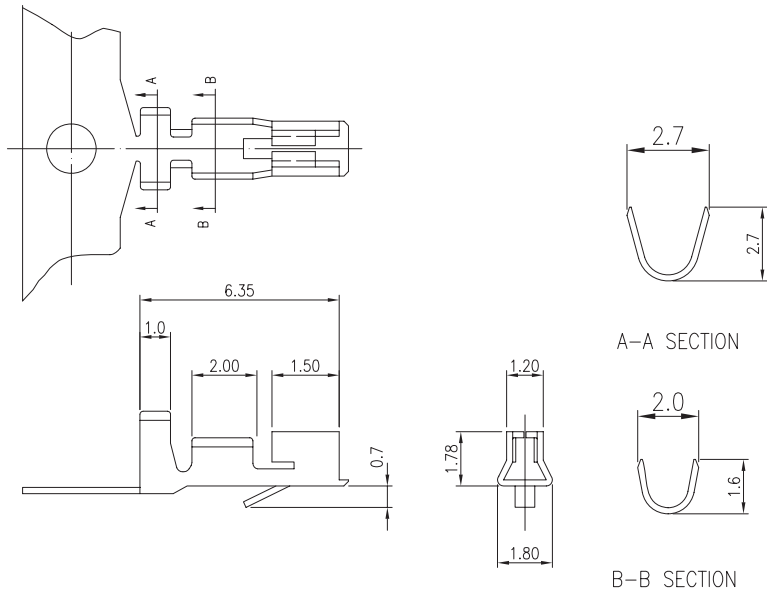
2.5mm .098" Center Wire to Board Connector



2505 Series

■ TERMINAL

- Part No.: 2505-T-T-S
- Material: Phos. Bronze
- Thickness: 0.2mm
- Plating: Tin plated 60u"
- Wire Range: Suitable for AWG#22~28
- Insulation O.D.: 1.75mm (max)
- Q'TY: 10,000 pcs/reel
- Accepts housing : 2505-H



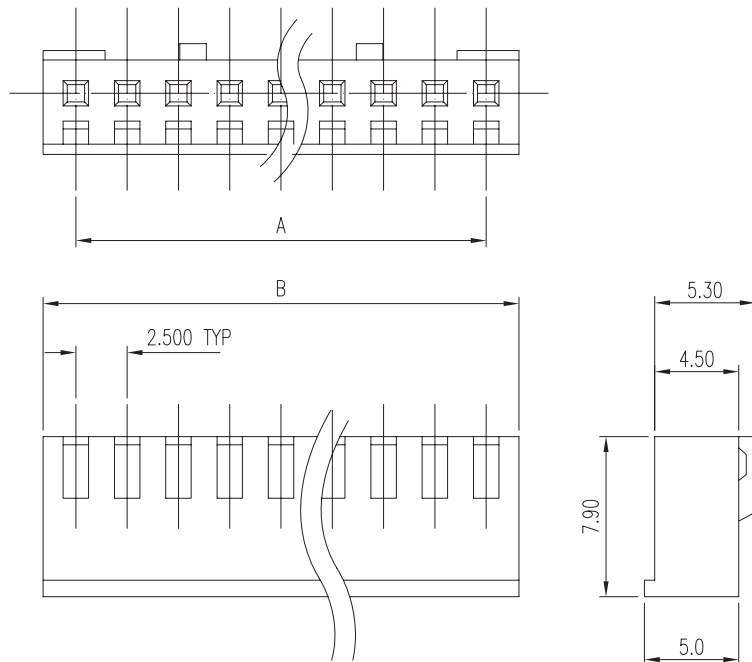
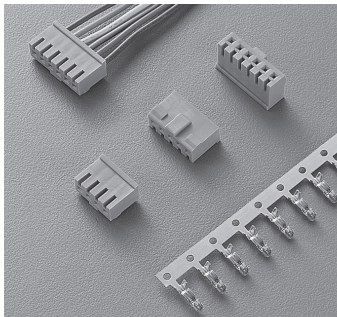
Ordering Information

Part No.	Wire Range	Insulation O.D.	Material	Finish	Q'ty/reel
2505-T-T-S	AWG #22~#28	1.75mm (max)	Phos. bronze	Tin Plated	10,000 pcs

2505 Series

■ HOUSING

- Part No.: 2505-H
- Material: Nylon 66, UL94V-2
- Pitch: 2.5mm (.098")
- Poles: 2~15
- Q'TY: 1,000 pcs/bag
- Accepts terminals : 2505-T-T-S



Ordering Information and Dimensions

CIRCUITS	PART NO.	DIMENSION	
		A	B
2	2505-H-02P	2.50	5.50
3	2505-H-03P	5.00	8.00
4	2505-H-04P	7.50	10.50
5	2505-H-05P	10.00	13.00
6	2505-H-06P	12.50	15.50
7	2505-H-07P	15.00	18.00
8	2505-H-08P	17.50	20.50

CIRCUITS	PART NO.	DIMENSION	
		A	B
9	2505-H-09P	20.00	23.00
10	2505-H-10P	22.50	25.50
11	2505-H-11P	25.00	28.00
12	2505-H-12P	27.50	30.50
13	2505-H-13P	30.00	33.00
14	2505-H-14P	32.50	35.50
15	2505-H-15P	35.00	38.00