

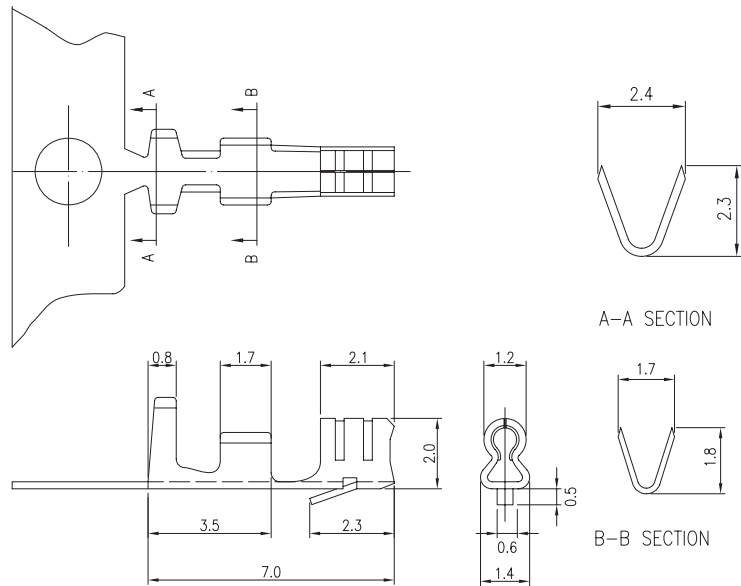
2.5mm .098" Center Wire to Board Connector



2530 Series

■ TERMINAL

- Part No.: 2530-T-T-S
- Material: Phos. bronze
- Thickness: 0.2mm
- Plating: Tin plated 60u"
- Wire Range: Suitable for AWG#24~28
- Insulation O.D.: 1.90mm (max)
- Q'TY: 10,000 pcs/reel
- Accepts housing : 2530-H



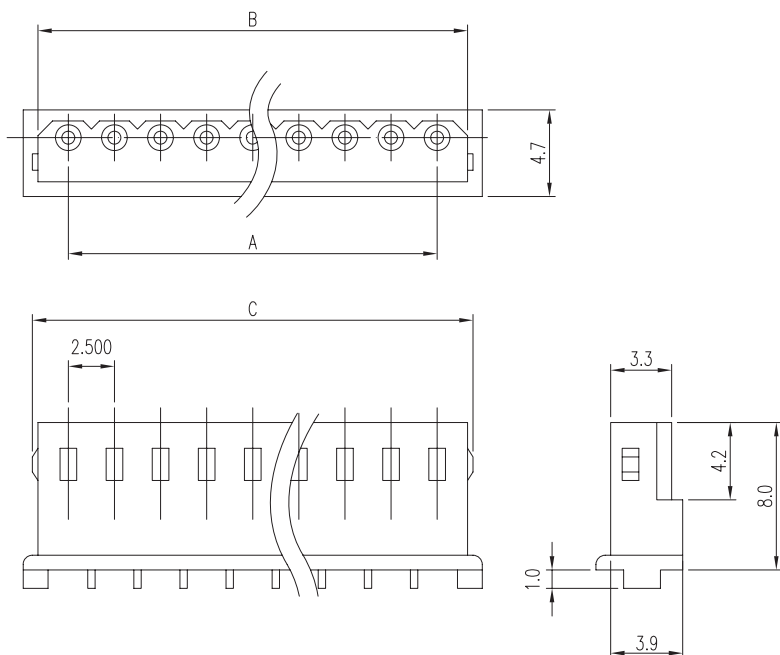
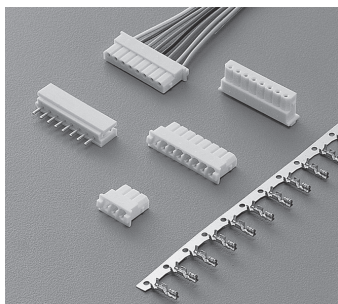
Ordering Information

Part No.	Wire Range	Insulation O.D.	Material	Finish	Q'ty/reel
2530-T-T-S	AWG #24~#28	1.90mm (max)	Phos. bronze	Tin Plated	10,000 pcs

2530 Series

■ HOUSING

- Part No.: 2530-H
- Material: Nylon 66, UL94V-2
- Pitch: 2.5mm (.098")
- Poles: 2~15
- Q'TY: 1,000 pcs/bag
- Accepts terminals : 2530-T-T-S



Ordering Information and Dimensions

CIRCUITS	PART NO.	DIMENSION		
		A	B	C
2	2530-H-02P	2.50	5.8	6.4
3	2530-H-03P	5.00	8.3	8.9
4	2530-H-04P	7.50	10.8	11.4
5	2530-H-05P	10.00	13.3	13.9
6	2530-H-06P	12.50	15.8	16.4
7	2530-H-07P	15.00	18.3	18.9
8	2530-H-08P	17.50	20.8	21.4

CIRCUITS	PART NO.	DIMENSION		
		A	B	C
9	2530-H-09P	20.00	23.3	--
10	2530-H-10P	22.50	25.8	--
11	2530-H-11P	25.00	28.3	--
12	2530-H-12P	27.50	30.8	--
13	2530-H-13P	30.00	33.3	--
14	2530-H-14P	32.50	35.8	--
15	2530-H-15P	35.00	38.3	--