

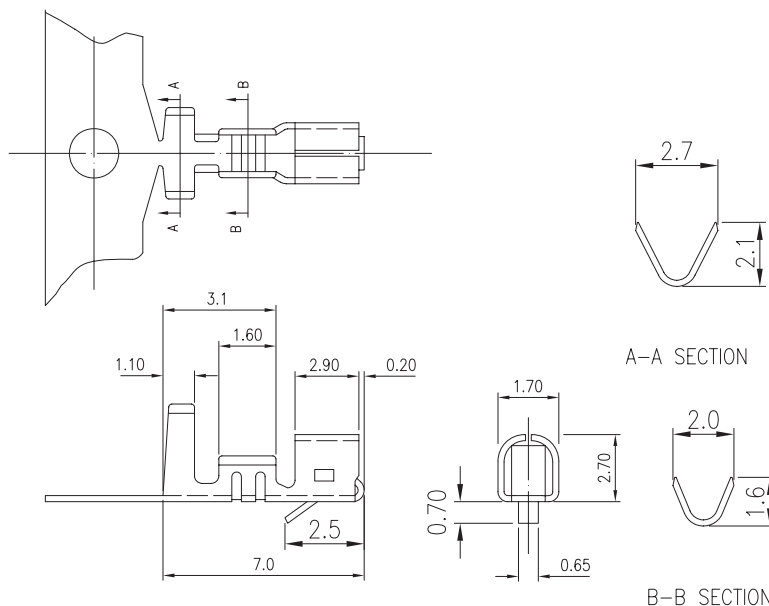
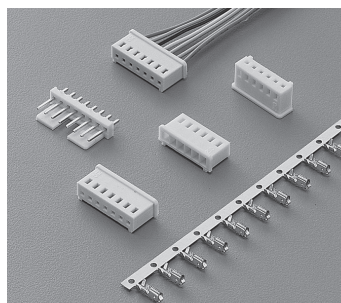
2.5mm .098" Center Wire to Board Connector



2550 Series

■ TERMINAL

- Part No.: 2550-T-T-S
- Material: Phos. bronze
- Thickness: 0.2mm
- Plating: Tin plated 60u"
- Wire Range: Suitable for AWG#24~28
- Insulation O.D: 1.75mm (max)
- Q'TY: 8,000 pcs/reel
- Accepts housing : 2550-H



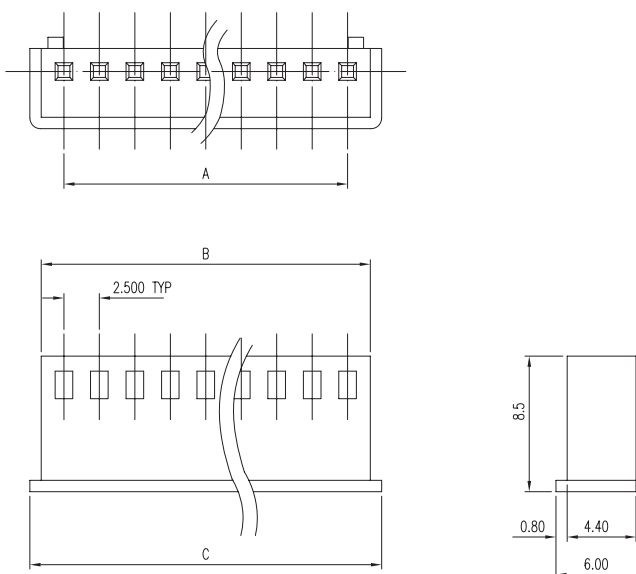
Ordering Information

Part No.	Wire Range	Insulation O.D.	Material	Finish	Q'ty/reel
2550-T-T-S	AWG #24~#28	1.75mm (max)	Phos. bronze	Tin Plated	8,000 pcs

2550 Series

■ HOUSING

- Part No.: 2550-H
- Material: Nylon 66, UL94V-2
- Pitch: 2.5mm (.098")
- Poles: 2~20
- Q'TY: 1,000 pcs/bag
- Accepts terminals : 2550-T-T-S



Ordering Information and Dimensions

CIRCUITS	PART NO.	DIMENSION		
		A	B	C
2	2550-H-02P	2.50	6.0	7.30
3	2550-H-03P	5.00	8.5	9.80
4	2550-H-04P	7.50	11.0	12.30
5	2550-H-05P	10.00	13.5	14.80
6	2550-H-06P	12.50	16.0	17.30
7	2550-H-07P	15.00	18.5	19.80
8	2550-H-08P	17.50	21.0	22.30
9	2550-H-09P	20.00	23.5	24.80
10	2550-H-10P	22.50	26.0	27.30
11	2550-H-11P	25.00	28.5	29.80

CIRCUITS	PART NO.	DIMENSION		
		A	B	C
12	2550-H-12P	27.50	31.0	32.30
13	2550-H-13P	30.00	33.5	34.80
14	2550-H-14P	32.50	36.0	37.30
15	2550-H-15P	35.00	38.5	39.80
16	2550-H-16P	37.50	41.0	42.30
17	2550-H-17P	40.00	43.5	44.80
18	2550-H-18P	42.50	46.0	47.30
19	2550-H-19P	45.00	48.5	49.80
20	2550-H-20P	47.50	51.0	52.30