

0.80mm .032" Center Wire to Board Connector



0800 Series

PLUG HOUSING

Part No.: 0800-H-xxP

Specifications

Electrical

Voltage Rating: 30V(DC)

Current Rating: 0.5A AC/ DC(AWG#32)
0.3A AC/ DC(AWG#34)

Withstanding Voltage: 200V AC/ minute

Insulation Resistance: 100MΩ Min

Contact Resistance: 30mΩ Max

Insulation O.D: 0.38mm(AWG#32)
0.32mm(AWG#34)

Applicable Wire: AWG#32, AWG#34

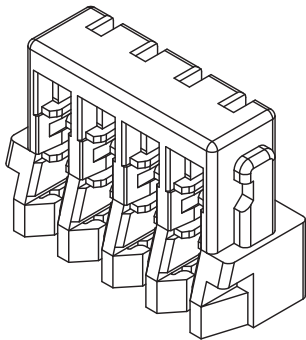
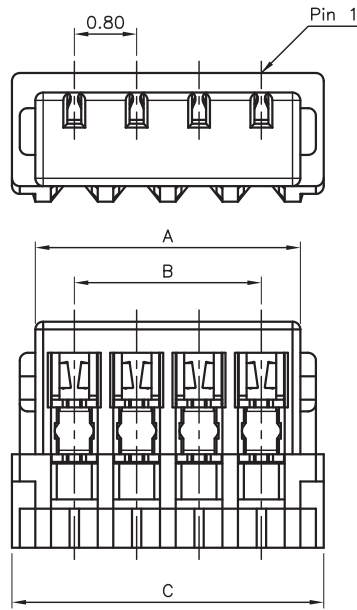
Material

Circuits: 2~20, 22

Housing: Thermal Plastic, UL 94V-0

Terminal: Copper Alloy, Tin plated
Gold plated

Temperature Range: -25~+85°C



Ordering Information and Dimensions

CIRCUITS	PART NO.	DIMENSION		
		A	B	C
2	0800-H-02P	1.78	0.80	2.40
3	0800-H-03P	2.58	1.60	3.20
4	0800-H-04P	3.38	2.40	4.00
5	0800-H-05P	4.18	3.20	4.80
6	0800-H-06P	4.98	4.00	5.60
7	0800-H-07P	5.78	4.80	6.40
8	0800-H-08P	6.58	5.60	7.20
9	0800-H-09P	7.38	6.40	8.00
10	0800-H-10P	8.18	7.20	8.80
11	0800-H-11P	8.98	8.00	9.60

CIRCUITS	PART NO.	DIMENSION		
		A	B	C
12	0800-H-12P	9.78	8.80	10.40
13	0800-H-13P	10.58	9.60	11.20
14	0800-H-14P	11.38	10.40	12.00
15	0800-H-15P	12.18	11.20	12.80
16	0800-H-16P	12.98	12.00	13.60
17	0800-H-17P	13.78	12.80	14.40
18	0800-H-18P	14.58	13.60	15.20
19	0800-H-19P	15.38	14.40	16.00
20	0800-H-20P	16.18	15.20	16.80
22	0800-H-22P	17.78	16.80	18.40

0801 Series

PLUG HOUSING

Part No.: 0801-H-xxP

Specifications

Electrical

Voltage Rating: 30V(DC)

Current Rating: 0.5A AC/ DC(AWG#32)
0.3A AC/ DC(AWG#34)

Withstanding Voltage: 200V AC/ minute

Insulation Resistance: 100MΩ Min

Contact Resistance: 30mΩ Max

Insulation O.D: 0.38mm(AWG#32)
0.32mm(AWG#34)

Applicable Wire: AWG#32, AWG#34

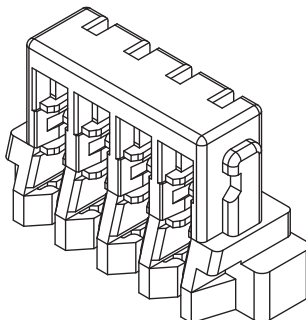
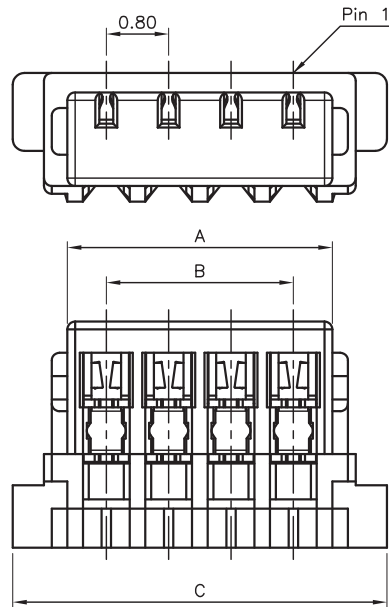
Material

Circuits: 2~20, 22

Housing: Thermal Plastic, UL 94V-0

Terminal: Copper Alloy, Tin plated
Gold plated

Temperature Range: -25~+85°C



Ordering Information and Dimensions

CIRCUITS	PART NO.	DIMENSION		
		A	B	C
2	0801-H-02P	1.78	0.80	3.20
3	0801-H-03P	2.58	1.60	4.00
4	0801-H-04P	3.38	2.40	4.80
5	0801-H-05P	4.18	3.20	5.60
6	0801-H-06P	4.98	4.00	6.40
7	0801-H-07P	5.78	4.80	7.20
8	0801-H-08P	6.58	5.60	8.00
9	0801-H-09P	7.38	6.40	8.80
10	0801-H-10P	8.18	7.20	9.60
11	0801-H-11P	8.98	8.00	10.40

CIRCUITS	PART NO.	DIMENSION		
		A	B	C
12	0801-H-12P	9.78	8.80	11.20
13	0801-H-13P	10.58	9.60	12.00
14	0801-H-14P	11.38	10.40	12.80
15	0801-H-15P	12.18	11.20	13.60
16	0801-H-16P	12.98	12.00	14.40
17	0801-H-17P	13.78	12.80	15.20
18	0801-H-18P	14.58	13.60	16.00
19	0801-H-19P	15.38	14.40	16.80
20	0801-H-20P	16.18	15.20	17.60
22	0801-H-22P	17.78	16.80	19.20