

1.00mm .039" Center Wire to Board Connector



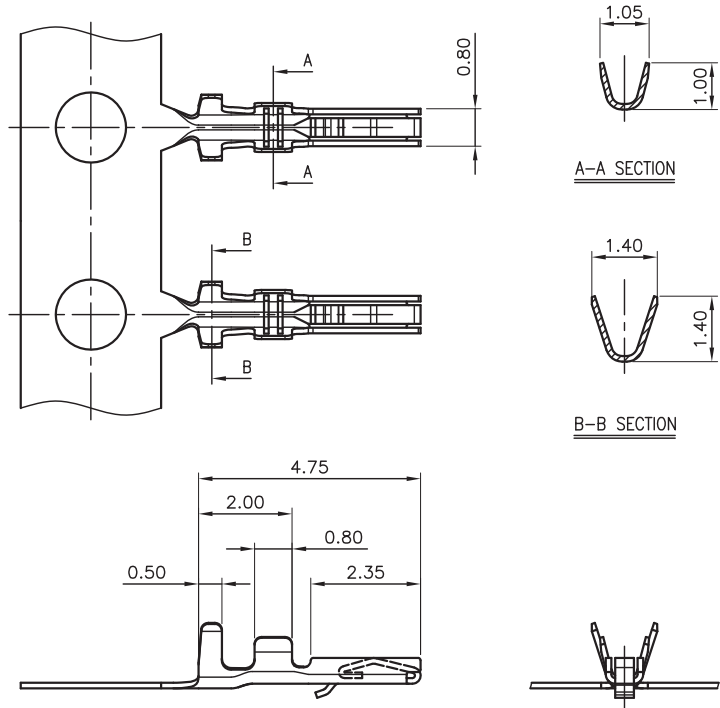
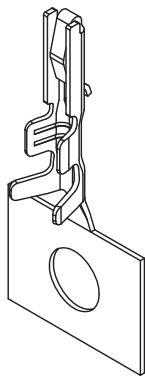
1018 Series

■ TERMINAL

Part No.: 1018-G-P
1018-T-T-S

Material

Terminal: Copper Alloy
Thickness: 0.12mm
Plating: Gold plated, Tin plated
Applicable Wire: AWG#28~AWG#32
Insulation O.D: 0.75mm(Max)
Q'TY : 20,000 pcs/ reel
Accepts housing: 1018-H-xxP



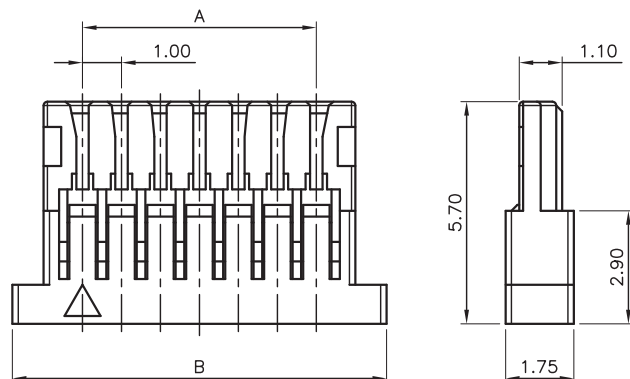
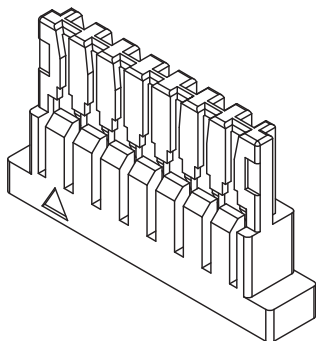
1018 Series

■ HOUSING

Part No.: 1018-H-xxP

Material

Housing: Thermal Plastic, UL 94V-0
Pitch: 1.00mm (.039")
Circuits: 2~30
Q'TY : 1,000 pcs/ bag
Accepts terminal: 1018-G-P
1018-T-T-S
Mate with: 1018-SMTR-xxP



Ordering Information and Dimensions

CIRCUITS	PART NO.	DIMENSION		CIRCUITS	PART NO.	DIMENSION	
		A	B			A	B
2	1018-H-02P	1.00	4.60	20	1018-H-20P	19.00	22.60
6	1018-H-06P	5.00	8.60	22	1018-H-22P	21.00	24.60
7	1018-H-07P	6.00	9.60	26	1018-H-26P	25.00	28.60
14	1018-H-14P	13.00	16.60	30	1018-H-30P	29.00	32.60
16	1018-H-16P	15.00	18.60				

1.00mm .039" Center Wire to Board Connector



1018 Series

HOUSING

Part No.: 1018-H-2×xxP

Material

Housing: Nylon 66, UL 94V-0

Pitch: 1.00mm (.039")

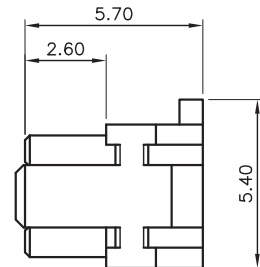
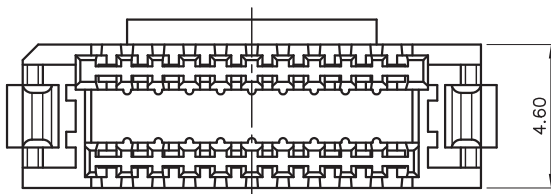
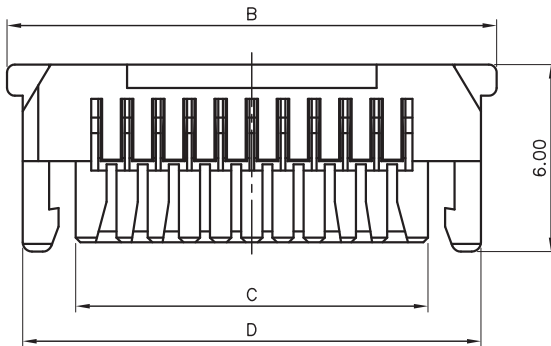
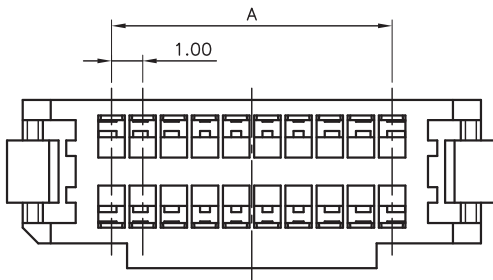
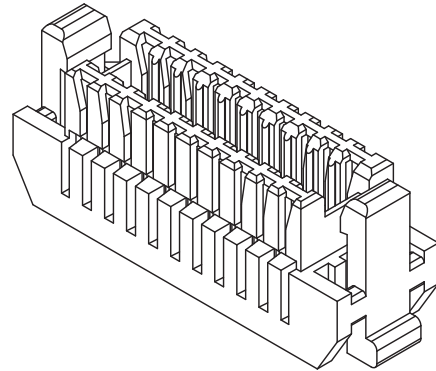
Circuits: 20, 30, 40, 50

Q'TY : 1,000 pcs/ bag

Accepts terminal: 1018-G-P

1018-T-T-S

Mate with: 1018-SMTR-xxP



Ordering Information and Dimensions

CIRCUITS	PART NO.	DIMENSION			
		A	B	C	D
20	1018-H-2×10P	9.00	15.7	11.30	14.7
30	1018-H-2×15P	14.00	20.7	16.30	19.7
40	1018-H-2×20P	19.00	25.7	21.30	24.7
50	1018-H-2×25P	24.00	30.7	26.30	29.7