

# 1.00mm .039" Center Wire to Board Connector



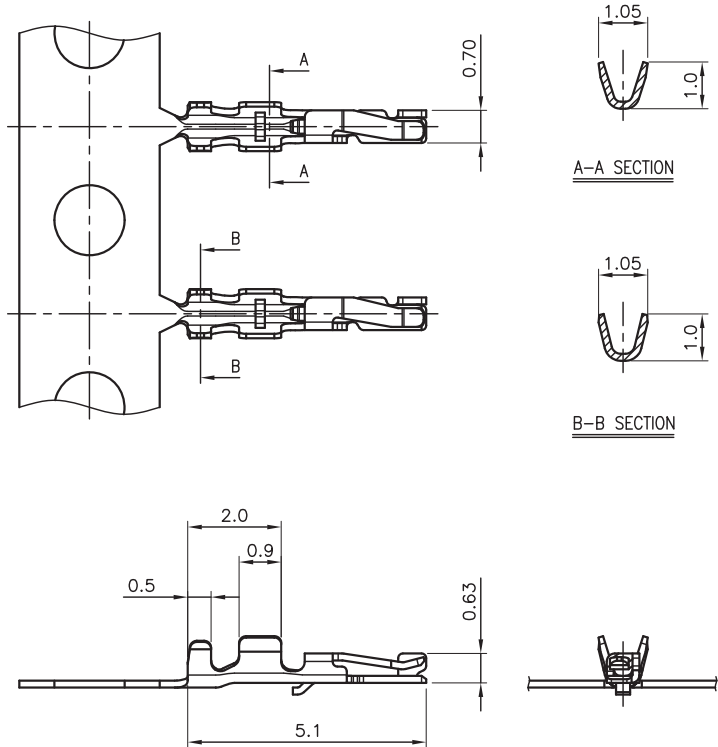
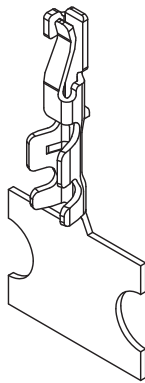
## 1019 Series

### ■ TERMINAL

Part No.: 1019-G-P

### Material

Terminal: Copper Alloy  
 Thickness: 0.15mm  
 Plating: Gold plated  
 Applicable Wire: AWG#28~AWG#32  
 Insulation O.D: 0.75mm(Max)  
 Q'TY : 15,000 pcs/ reel  
 Accepts housing: 1019-H-xxP



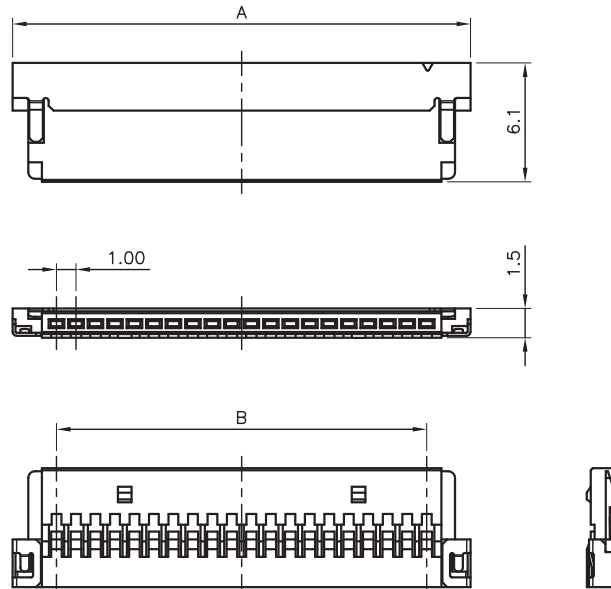
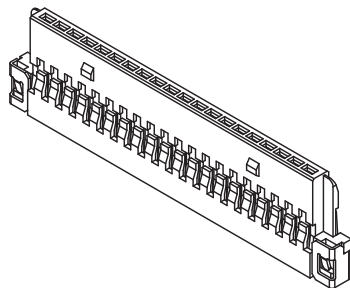
## 1019 Series

### ■ HOUSING

Part No.: 1019-H-xxP

### Material

Housing: Thermal Plastic, UL 94V-0  
 Shell: Copper Alloy/ Ni plated  
 Pitch: 1.00mm (.039")  
 Circuits: 14, 20, 30  
 Q'TY : 500 pcs/ bag  
 Accepts terminal: 1019-G-P  
 Mate with: 1019-SMTR-xxP



### Ordering Information and Dimensions

CIRCUITS	PART NO.	DIMENSION	
		A	B
14	1019-H-14P	17.5	13.00
20	1019-H-20P	23.5	19.00
30	1019-H-30P	33.5	29.00